

Häfele Slido Design 100-S Sliding door fitting



- > Rustic sliding door fitting in black with lacquered finish
- > Visible functional details

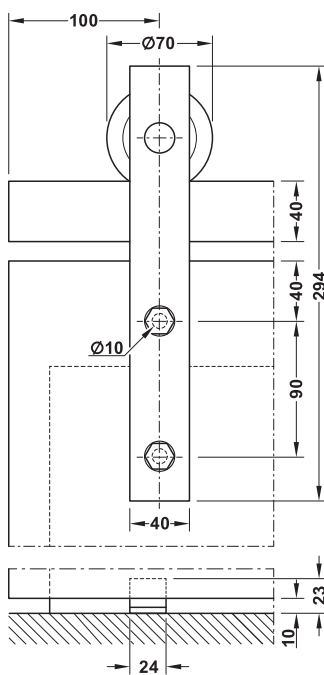
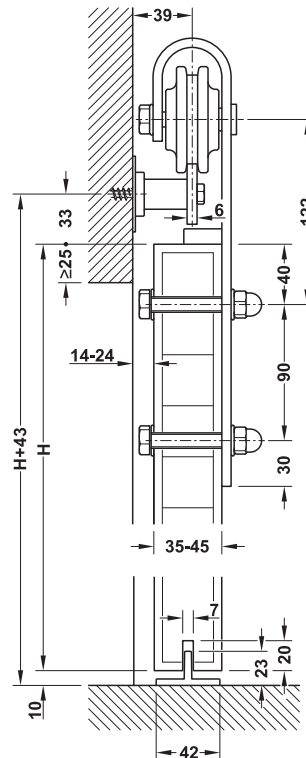


- > Area of application: For 1-leaf sliding doors
- > Version: With anti-derailment device
- > Door weight: ≤100 kg
- > Door width: With running track 2,000 mm: 750–1,000 mm, with running track 2,500 mm: 1,001–1,250 mm
- > For internal opening width: Depending on the running track
- > Door thickness: 35–45 mm
- > Adjustment facility: Not height adjustable
- > Installation: Wall mounting

Sliding Door Fittings for Wooden Doors



Wall mounting



Track flush with door

9

DGH-B 2015, HDE-en, 06/15; Dimensional data not binding. We reserve the right to alter specifications without notice.

→ Set with running track, for 1 door

Model	Supplied with	Door width mm	Length mm	Cat. No.
100-S	2 running gears 1 running track 2 stoppers (left and right) 1 wall mounting set 2 anti-derailment devices 1 floor guide 1 hex key 1 drill bit Ø 8.5 mm	750–1000	2000	941.32.000
		1001–1250	2500	941.32.004

Note

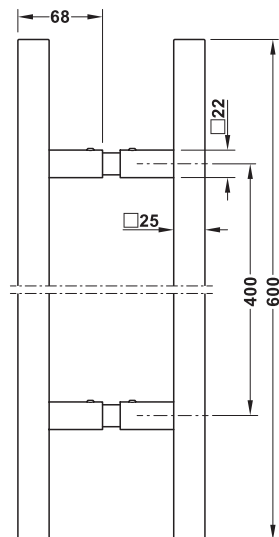
Running track cut be cut to size on site. The cutting edge must be finished (ground and colour-matched).

Note

Drilling distances for mounting the running track 2,000 mm on the wall: 100/450/450/450/450/100, pre-drilled (5 times)

Drilling distances for mounting the running track 2,500 mm on the wall: 125/450/450/450/450/450/125, pre-drilled (6 times)

→ Pull handle, installation in pairs, square



Drill hole in wood Ø 8.5 mm

- > Material: Stainless steel
- > For door thickness: Wood 37–50 mm

Finish/colour	Cat. No.
Graphite black	903.00.983